

Axiom

Compact 3D measurement
system



Instrumentation Devices Srl
Via Acquanera 29 - 22100 COMO (Italy)
ph +39 031 525 391- fax +39 031 507 984
info@instrumentation.it - www.instrumentation.it

Introducing Axiom

Axiom combines stereoscopic optics with advanced analytical software and is ideal for research grade non-contact 3D displacement measurement.



Accurate

Better than 0.3 microns, at real-time measurement rates of up to 500 hertz.



Tolerant

Tolerant of low and variable lighting conditions.



Durable

Rugged design for use in real industrial environments.



Effortless

Pre-calibrated optics and ready out of the box.

Three-Dimensional Displacement Measurement

Axiom is a compact stereoscopic head which compliments the Mobius product range with a smaller factory calibrated measurement volume and shorter working distances.

Axiom can be used in both challenging and sensitive environments due to the fully enclosed design. Simplified cabling and a range of robust mounting options complete a user-friendly and capable measurement tool.

Axiom is a highly effective alternative to traditional displacement sensors such as LVDTs, DTIs, EDMs, encoders, laser trackers and potentiometers in a wide range of applications. Utilising non-contact optical techniques, Axiom eliminates the challenges of traditional contacting sensors, for example:

- Pre-calibrated and ready to measure
- Non-contact measurement resulting in reduction in instrument mounting and fixturing
- Single remote sensor reduces wiring challenges
- Test through specimen or object failure with no risk of sensor damage
- Single instrument simplifies communication standards
- Captures true results with no specimen or object interference
- Record and re-analyse tests to ensure correct results are captured.

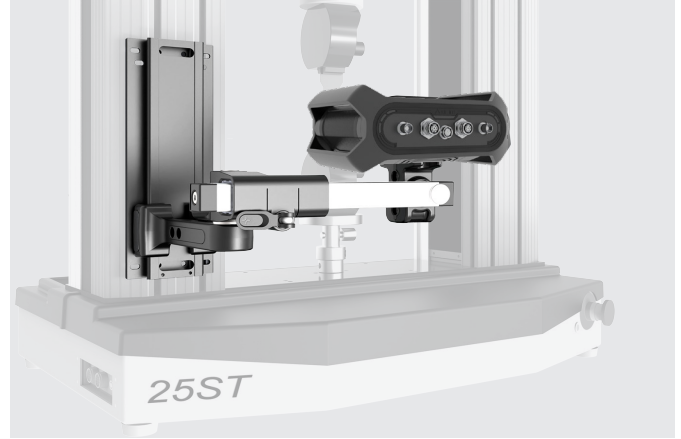
Accessories

Hardware



Tripod and Geared Head

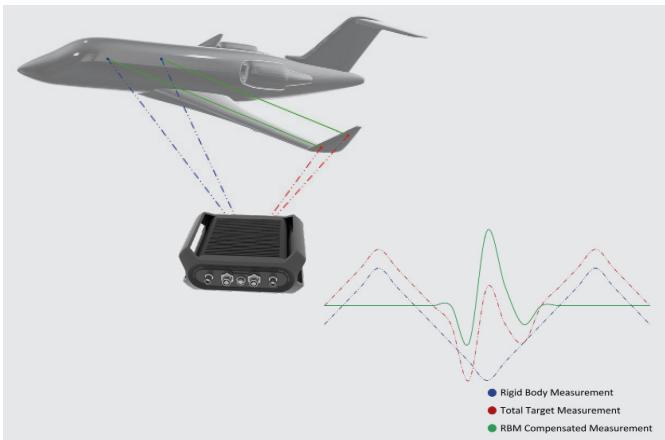
Tripod with geared head ideally suited to Axiom applications where height, viewing angle and stability are paramount.



UTM Mount

Universal Test Frame mount with extendable locking arm to perfectly position Axiom in either portrait or landscape configuration relative to the test sample.

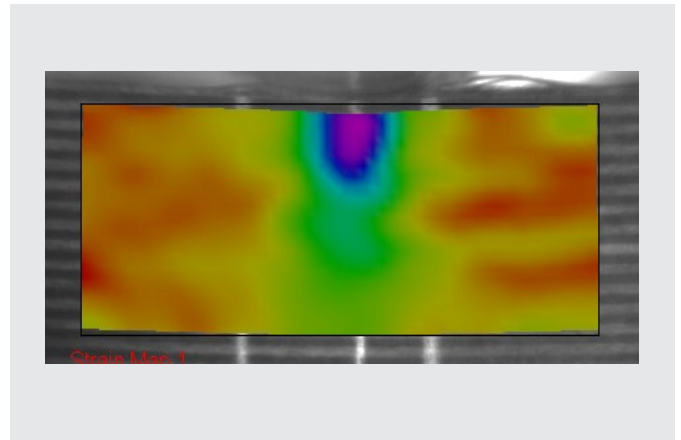
Software



Rigid Body Motion

Rigid Body Motion correction allows for measurement of movement on moving objects.

Imetrum Limited
The Courtyard, Wraxall Hill,
Wraxall, Bristol UK,
BS48 1NA
+44 (0) 1275 464 443
hello@imetrum.com



Digital Image Correlation

Digital Image Correlation delivers in depth knowledge of the entire specimen surface.



Follow us for news & updates:



Instrumentation Devices Srl
Via Acquanera 29 - 22100 COMO (Italy)
ph +39 031 525 391- fax +39 031 507 984
info@instrumentation.it - www.instrumentation.it

PB1080/v2